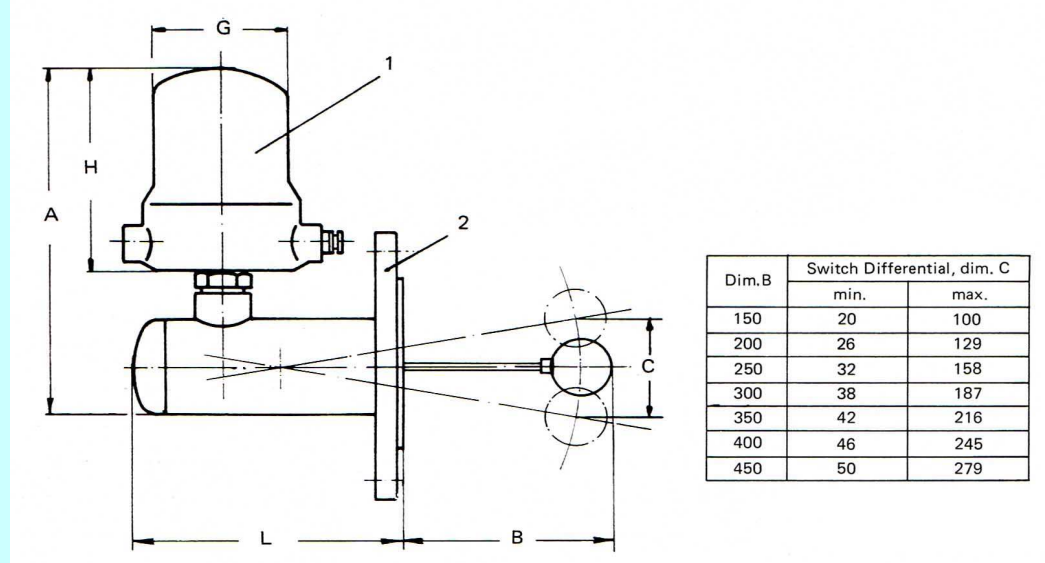
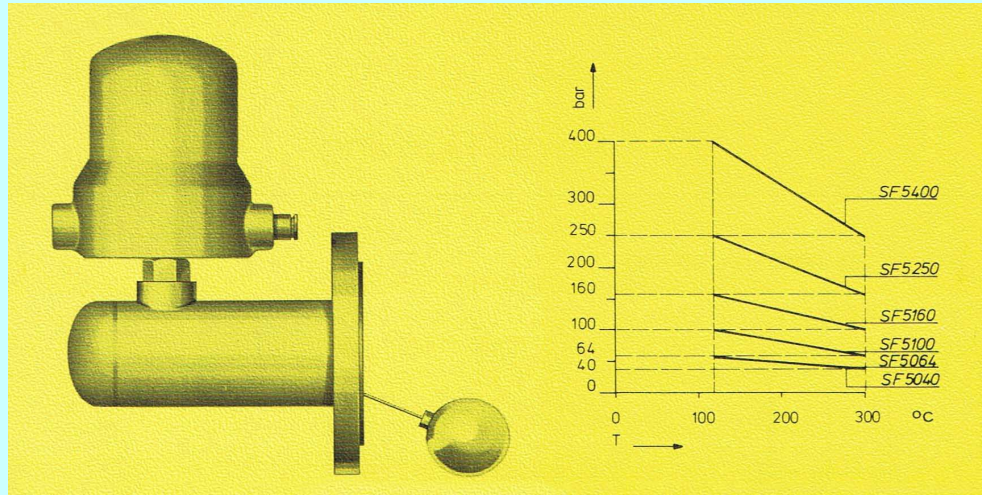




### Side Mounted Float in Tank

#### Outline Dimensional Drawings SF5040 thru SF5250



Dim. B	Switch Differential, dim. C	
	min.	max.
150	20	100
200	26	129
250	32	158
300	38	187
350	42	216
400	46	245
450	50	279

#### Standard Design :

Model No.	SF5040	SF5064	SF5100	SF5160	SF5250	
Float Chamber Material	Carbon Steel					
Rated, ... bar at 120°C **	40	64*	100*	160*	250*	
Flanged Connection	Size: DN	100 4"	100 4"	100 4"	100 4"	
	Rating: PN	40 300#	64 600#	100 600#	160 900#	250 1500#
Flanges acc. to	DIN	ASA	DIN	ASA	DIN	ASA
Float Size (mm diam.)	75	75	75	75	75	
min. Spec. Gravity	0,50	0,50	0,50	0,60	0,6	
Float / Float Stem Material	V4A-SS, Mtl. No. 1.4571 / SS316Ti					
Switch Housing	Cast Aluminium, IP55 acc. to DIN 40050					
Conduit Connection	PG16 DIN 46255 (Thread)					
Switch Mechanism	Mercury Type Q1 - SPDT					
Switch Differential	refer to Diagram					

\* German Pressure Vessel Code Regulations require TÜV-Inspection

#### Optional :

Float Chamber Material	SS or other Mtl. upon request			
Connection Flanges	flange facing acc. DIN or ASA standards (or requirements)			
Float / Float Stem Material	as per requirements			
Enclosure	for Ex-Proof, please ask			
Conduit Connection	as per requirements			
Cooling Fin Extension	applicable on service temp. > 300°C			
Switches : refer to Data-Sheet	Mercury : C1.1	Micro : C2.1	Proximity	Pneumatic

- 1) Switch Housings shown are standard IP55.
- 2) Flange : standard or acc. to specifications.

Model No.	A	B	G	H	L
SF5040	1120	see Table	130	200	250
SF5064	1135				250
SF5100	1120				270
SF5160	1135				290
SF5250	910				320